



## Installation / Operation Manual



**Installation Requirements**  
**Pressure Range: 10-150 psi**  
**Temperature Range: 40-120 F**  
**Max Service Flow Rate: 25gpm**

**NOTE:** Position filter on a level surface.  
Filter must be installed at least 10 feet ahead of the inlet to a water heater.  
Do not install in direct sunlight or in freezing temperatures.

**Step 1:** Push on #9 Push Ball Valve to #8 Adapter Stem (see page 5). Make sure the knob on #9 is in the off position perpendicular with water flow.

**Step 2:** Decide which of the provided connectors work best for your installation (straight or 90°). Lubricate connector O-rings with a food grade silicone before installing on bypass. **HAND TIGHTEN ONLY!**

**Step 3:** Take note of the water flow arrows and plumb in your incoming and outgoing water. Use Teflon tape only on connector threads. The use of other sealants can damage the threads.

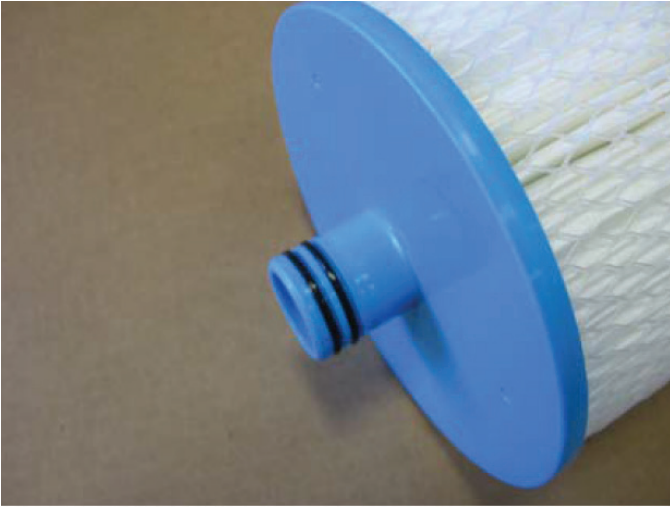


**Step 4:** Once plumbed in, insert the filter cartridge. (Instructions on page 3)

**Step 5:** After filter cartridge is installed, slowly open inlet of bypass and allow tank to fill up. Pressing the top red button will help purge air out. Check for leaks.

**Step 6:** Slowly open the outlet on the bypass and allow water to service. Open nearest faucet and run water for several minutes. Check for leaks.

## Filter Cartridge Installation



1. Ensure o-rings are properly lubricated before installation. Insert filter into the filter adapter of the bottom drain assembly.



2. A filter this high is not installed properly.



3. A properly installed filter should sit below the seal area.



4. Ensure the top Pressure Release Cap Lid is installed to fully expose the retaining groove.



5. Install the angled lead tip of the retaining ring into the groove.



6. Working clockwise, push the retaining ring into the groove until the end snaps into place. Gently pull on lid assembly to seat o-ring.

## Filter Cartridge Replacement



1. Turn both handles on bypass to bypass position (horizontal with the plumbing).



2. Remove top cover and relieve pressure in tank by pressing red button.



3. Remove snap ring and tank top from tank. Pull out old cartridge.

4. Install new cartridge (Instructions on page 3)

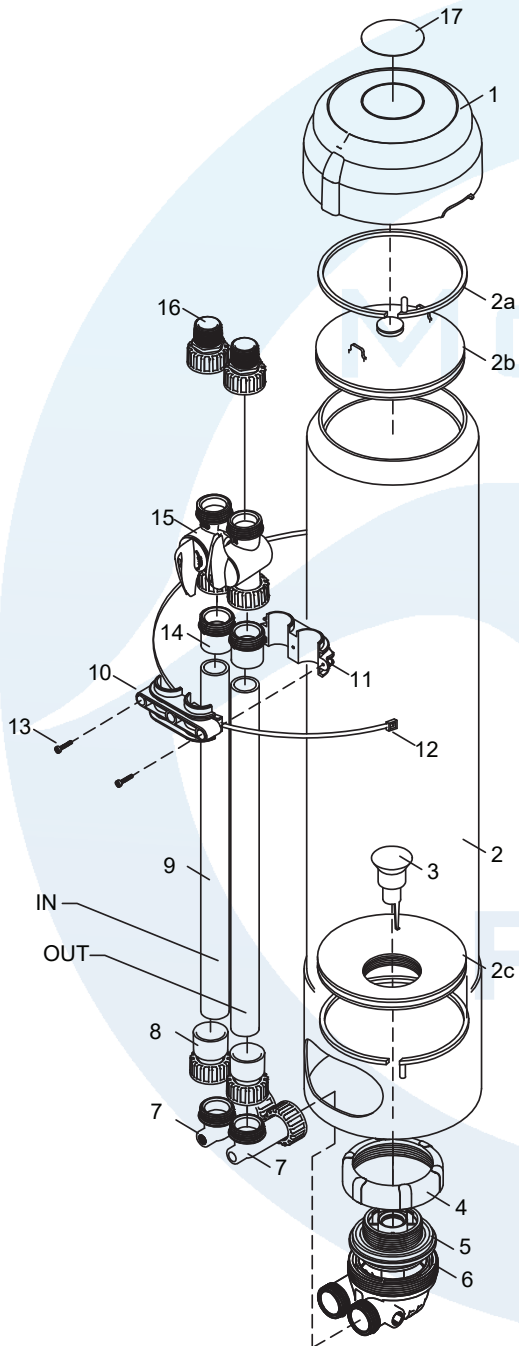
5. Close drain shut off.

6. After filter cartridge is installed, slowly open inlet of bypass and allow tank to fill up. Pressing the top red button will help purge air out. Check for leaks.

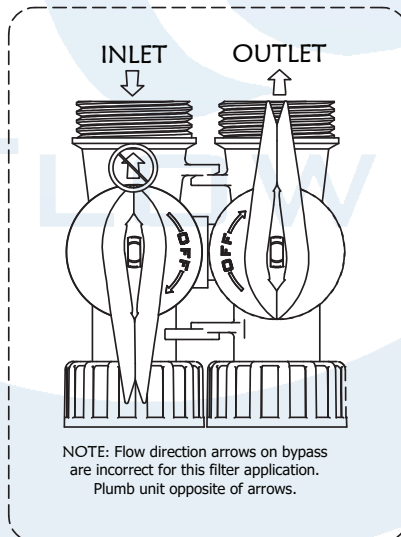
7. Slowly open the outlet on the bypass and allow water to service. Open nearest faucet and run water for several minutes. Check for leaks.



# MF40



No.	Part No.	Description	Qty
1	CT-CAP	Cartridge Tank Cover	1
2	Z00840BBBK00	Cartridge Tank	1
a	R-CTRETAINRING	Cartridge Tank Retainer Ring	2
b	R-CTPRTOPCAP	Cartridge Tank Top Cap	1
c	R-CTPRBOTCAP	Cartridge Tank Bottom Cap	1
3	R-CT2.5ADAPTER-BP	Cartridge to Upflow Body Adapter	1
4	20015X007	Upflow Body Union Nut	1
5	20015X008	Tank Adapter	1
6	20015X010	Upflow Body	1
7	20017X295	Verticle Elbow Adapter	2
8	20015X006	Solvent Weld Adapter	2
9	20015X019	1" Sch80 PVC Pipe, 22"	1
10	70000X033	Side Pipe Support	1
11	70000X034	Pipe Bracket Retainer	1
12	N/A	Large Zip Tie	1
13	SC11	Screw	2
14	20017X291	Solvent Weld Adapter	2
15	20017X283	Bypass	1
16	20017X289	1" NPT Straight Set	1
17	L-MF	Cap Label	1





## Typical Installation Drawing

### Monstr Flow Setup

(Incoming Water from Left-Side)

NOTE: Flow direction arrows located on bypass valve are backwards.  
When viewing the back of the unit the inlet is on the left and outlet to the right.

